



Full HD 1080p
MN100HDZ



MN100HDZ User Manual

About this Manual

Congratulations on purchasing the Minolta MN100HDZ Camcorder! The contents of this manual are subject to change without notice. Note that the example screens and product illustrations shown in this User's Guide may differ somewhat from the screens and configuration of the actual camcorder.

Copyright

This manual contains proprietary information protected by copyright. All rights are reserved. No part of this manual may be reproduced by any mechanical, electronic or other means, in any form, without prior written permission of Elite Brands Inc. © 2022.

FEDERAL COMMUNICATIONS COMMISSION INTERFERENCE STATEMENT

This equipment has been tested and found to comply with the limits for a Class B digital device, pursuant to Part 15 of the FCC Rules. These limits are designed to provide reasonable protection against harmful interference in a residential installation. This equipment generates, uses and can radiate radio frequency energy and, if not installed and used in accordance with the instructions, may cause harmful interference to radio communications. However, there is no guarantee that interference will not occur in a particular installation. If this equipment does cause harmful interference to radio or television reception, which can be determined by turning the equipment off and on, the user is encouraged to try to correct the interference by one or more of the following measures:

- Reorient or relocate the receiving antenna.
- Increase the separation between the equipment and receiver.
- Connect the equipment into an outlet on a circuit different from that to which the receiver is connected.
- Consult the dealer or an experienced radio/TV technician for help.

CAUTION:

Any changes or modifications not expressly approved by the party responsible for compliance could void the user's authority to operate the equipment.

This device complies with Part 15 of the FCC Rules. Operation is subject to the following two conditions:

- (1) This device may not cause harmful interference and
- (2) This device must accept any interference received, including interference that may cause undesired operation.

RF Exposure Warning

This equipment complies with FCC RF radiation exposure limits set forth for an uncontrolled environment. This equipment must be installed and operated in accordance with provided instructions and must not be co-located or operating in conjunction with any other antenna or transmitter. End-users and installers must be provided with antenna installation instructions and transmitter operating

conditions for satisfying RF exposure compliance.

FCC: SAR standard Value: 1.6 W/Kg, Maximal Measure: 0.4 W/kg

CE Mark Warning

This is a Class B product, in a domestic environment, this product may cause radio interference, in which case the user may be required to take adequate measures.

Safety and Handling Precautions

Camcorder Information

- Do not disassemble or attempt to service the camcorder yourself.
- Do not expose the camcorder to moisture, or extreme temperatures.
- Allow the camcorder to warm up when moving from cold to warm temperatures.
- Do not touch and put pressure on the camcorder lens.
- Do not expose the lens to direct sunlight for extended periods.
- Do not use abrasive chemicals, cleaning solvents or strong detergents to clean the product. Wipe the product with a slightly damp soft cloth.
- Do not use the flash or LED Light near a person's eyes to prevent possible eye injury.
- To prevent you from falling over or resulting in traffic accident, please do not use the camcorder while you are walking, driving or riding a vehicle.
- Please handle the camcorder strap with care, and never place the strap around the neck of an infant or child. Wrapping the strap around a neck may cause suffocation.
- Do not subject the LCD screen to impact.
- To prevent the risk of fire or electric shock, do not expose this appliance to rain or moisture.

Battery Information

- Turn off the camcorder before installing or removing the battery.
- Use only the provided batteries or type of battery and charger that came with your camcorder. Using other types of battery or charger may damage the device and invalidate the warranty.
- Inserting the battery upside down can cause damage to the product and possibly cause an explosion.
- When the camcorder is used for an extended period of time, it is normal for the camcorder body to feel warm.
- Download all pictures and remove the battery from the camcorder if you are going to store the camcorder for a long period of time.
- The type of battery and the battery power level may cause the lens to be stuck up. Ensure you use the correct battery type and use a fully charged battery.
- Risk of explosion if battery is replaced by an incorrect type. Dispose of used batteries according to the instructions.
- Please keep the batteries out of the reach of children to prevent from swallowing

batteries, which might cause poisoning.

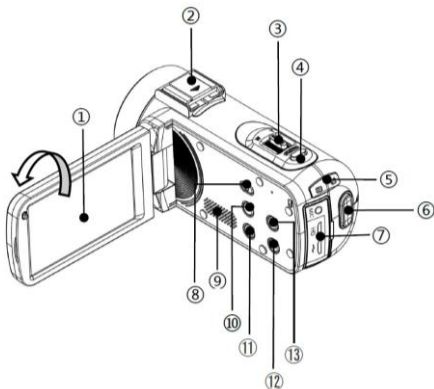
- Once the battery's color changes or its shape is twisted, please stop using it.

USB adapter Information

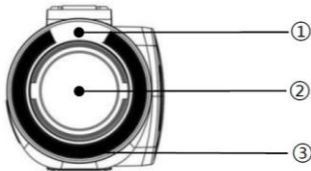
- Do not expose the adapter to high temperatures or moisture places. Otherwise, it may cause fire or electric shock.
- Do not attempt to repair, disassemble, change or transform the adapter.
- Avoid sudden changes in temperature, which may cause condensation on the adapter's internal surfaces. Please do not use it immediately in this situation.
- Do not touch the plug with wet hands. Otherwise, it may cause electric shock.
- Do not use the travel voltage converter or AC/DC power inverter. Otherwise, it may cause damage, overheating, malfunction or fire to the camcorder.

1. About Your Camcorder

1.1 Camcorder Interface



1. Touch LCD Screen	8. Power Button
2. Hot Shoe Mount	9. Speaker
3. Zoom	10. LED Light Button
4. Photo Button	11. Menu Button
5. LED Indicator	12. Display Button
6. Record Button	13. Mode Button
7. Port Door	



1. LED Light	2. Lens	3. Remote Control Sensor
--------------	---------	--------------------------

1.2 Button Function Description

Function	Description
Power	Press and hold for 3 seconds to power on, tap once to power off.
Mode	Tap to cycle between Video, Photo, Playback, Settings and Slide Show modes.
Menu	Tap to access and exit all menus and submenus.
Zoom	In Video and Photo: Press right to zoom-in. Press left to zoom-out. In Menu: Press to go to the previous or next setting option. In Playback: Press to go to the previous or next video. While playing a video, press to increase and decrease the volume.
Photo	In Photo: Press softly to focus the image. Press hard to capture a photo. In Playback: While playing a recorded video, tap to pause and tap again to resume. OK button in menus. Tap to confirm a setting.
Record	In Video: Tap to start/stop recording video. In Playback: Tap to stop a playing video.
Display	In Photo and Video: Tap to turn off the icons on the screen, tap again to turn the display off, tap a third time to turn on the display with the icons.
LED Light Button	In Video and Photo: Press to turn on the LED Light.
LED Light	LED light to aid with vision and recording in darkness.
Tripod Mount	Mount port for attaching to a tripod nut.
Battery/Memory Card Door	Door to cover storage slot for inserting the battery and a memory card.
Speaker	Built-in speaker output for playback of video files when audio recording is enabled.
Lens	Front capture device for all video and photo.

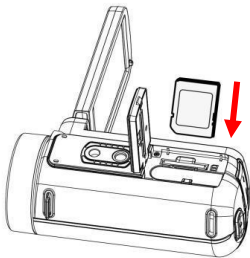
2. First Use

2. First Use

2.1 Inserting the Memory Card

Insert the included SD memory card to record and store your videos and photos. When the battery is low, media stored on the memory card will not be erased. Please insert the SD memory card by following the steps below:

1. Open the battery door to access the memory card slot. To open the battery door, slide the battery door release switch towards the front of the camcorder, the door will then flip open.
2. Insert the memory card. Ensure that the metal contacts are inserted first. Push the memory card down until you hear an audible click.
The memory card can only be inserted in one way. Do not force the card in if it will not go in smoothly.
3. Close the battery door by laying it flat against the bottom of the camcorder and sliding the battery door release switch towards the rear of the camcorder.
4. To remove the memory card, simply push in and the card will eject out.



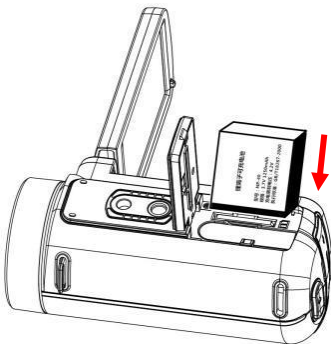
NOTE:

- Please format the memory card before using the camcorder (Caution, this will erase all data on the card).
- Do not remove or insert the memory card when recording. It may damage the card or cause data loss.
- Memory card rating must be Class 10 or above.

2.2 Installing the Battery

Insert the lithium-ion battery into the battery compartment with the metal contacts facing the inside of the camcorder. The battery can only be inserted one way. Push the battery in until it locks into place. Open the battery door to access the memory card slot. To open the battery door, slide the battery door release switch towards the front of the camcorder, the door will then flip open.

1. Insert the battery. Ensure that the metal contacts are inserted first. Push the down until you hear an audible click.
2. Close the battery door by laying it flat against the bottom of the camcorder and sliding it towards the front of the camcorder.
3. To remove the battery, slide the battery lock away from the battery and the battery will eject.



2.3 Charging the Battery

Connect your camcorder to the included AC adaptor with the USB cable provided for charging. Open the rubber jack door on the rear of the camcorder to access the charging port. Insert the small end of the USB plug into the camcorder's port, and the larger end into the included AC adaptor. The LED charging indicator light will light up red while charging and will turn off when charging is complete.

2.4 Powering the Camcorder On/Off

Press and hold the POWER button for 3 seconds to power the camcorder on. To power the camcorder off, press the POWER button. The camcorder will automatically power on and off when the screen is opened or closed. If the camcorder's battery is low, a "Low Power" message will display on the screen and it will automatically shut down within a few seconds to prevent memory corruption or loss.

2.5 Switching Modes

Press the MODE button to view the different mode options. Press the ZOOM button cycle between Video, Photo, Playback, Settings and Slide Show Modes and press the PHOTO button to enter that mode. The corresponding mode will be displayed in the top left corner of the screen.

2.6 Connecting to a Computer

Your camcorder can connect to a computer to transfer photo and video files for viewing and editing, or use the camcorder as a web cam. To connect the camcorder to your computer, open the rubber jack door on the rear of the camcorder to access the USB port. Insert the small end of the USB plug into the camcorder's port, and the larger end into the USB port on your computer. Once connected and powered on, the camcorder's screen will show "MSDC" and "PC Camera". Use the ZOOM button to select your desired mode and press the PHOTO button to enter into that mode.

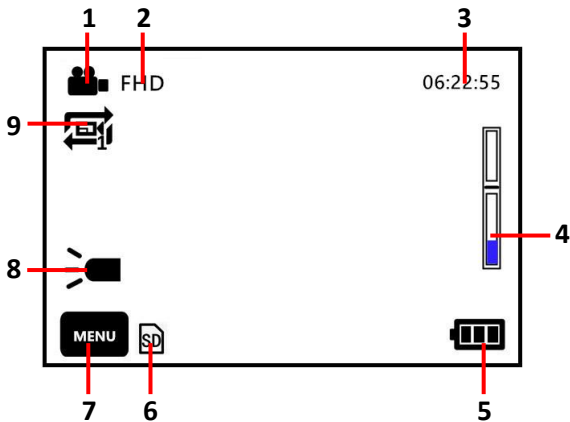
2.7 Connecting to a TV

The camcorder can also be connected to a TV. When connected, the camcorder screen will turn off and the camcorder will function normally. Use the TV as the camcorder monitor. To connect the camcorder to your TV, open the rubber jack door on the rear of the camcorder to access the HDMI port. Insert the small end of the HDMI plug into the camcorder's port, and the larger end into the HDMI port on your TV. Then turn on the camcorder and it will be ready for use.

2.8 Video Mode

Press the MODE button to switch to Video Mode. The meaning of each icon within Video Mode is explained in the table below:

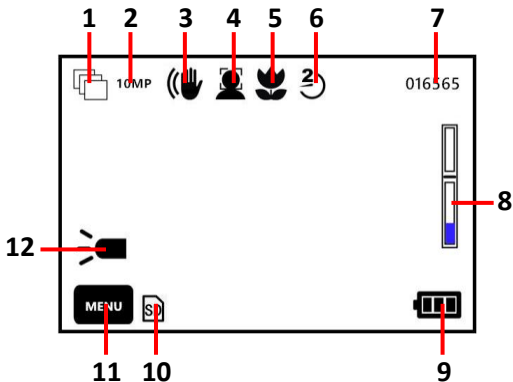
1. Video Mode	6. Memory Card Inserted
2. Video Size (Resolution)	7. Menu
3. Recording Time Remaining	8. LED Light Activated
4. Zoom Level	9. Time-Lapse Setting
5. Battery Level	



2.9 Photo Mode

Press the MODE button to switch to Photo Mode. The meaning of each icon within Photo Mode is explained in the table below:

1. Capture Mode	7. Number of Photos Remaining
2. Photo Size (Resolution)	8. Zoom Level
3. Image Stabilization	9. Battery Level
4. Face Detection	10. Memory Card Inserted
5. Macro Mode	11. Menu
6. Self Timer	12. LED Light Activated



2.10 Using the Zoom Function

This camcorder has an optical zoom function. To operate the zoom function, slide the ZOOM button to the right to zoom in closer to the subject, and to the left to zoom away from the subject.

2.11 Using the LED Lights

This camcorder has built-in LED Lights - giving you the ability to capture photos and videos in a dark environment.

In Photo or Video mode, press the LED Light button once to enable the LED light. When the LED light is enabled, the LED light indicator on the left side of the screen will be displayed.

To disable the light, press the LED Light button again. You will notice that the LED light indicator on the screen is no longer showing.

2.12 Attaching External Accessories

This camcorder supports lens filters & attachments, external microphones and assistive lighting utilizing power from the hot-shoe mount. When attaching an external microphone, be sure to mount it to the hot-shoe mount and also insert the 3.5mm plug into the MIC port.

The camcorder lens has a 37mm diameter threading for compatible filters and attachments.

2.13 Remote Control

Note: Before using the remote, remove the battery tab on the back.

When using the remote, it should be pointed towards the remote control receiver on the front the camcorder. There shouldn't be any objects in between the remote and camcorder as they can block the signal from the remote.



3. Using the Camcorder

3.1 Video Recording

Power the camcorder on and it will be ready to record clips right away. You may press the MODE button to switch to another mode. A camcorder icon will appear in the top left corner of the screen when you are in Video mode.

1. Line up your shot by looking at the LCD screen to see what is in view.
2. Hold the camcorder steady and press the RECORD button to begin recording.
3. When recording begins, a rolling timer will display in red in the top right corner of the screen. This indicates the recorded video time elapsed.
4. Press the PHOTO button to pause and resume recording. Press the RECORD button to stop recording.
5. The recorded video files will automatically save onto the inserted memory card.

3.1.1 Movie Size (Resolution)

Your camcorder has a number of preset resolutions.

1. In Video Mode press the MENU button.
2. Select 'Movie Size' using the ZOOM button and press the PHOTO button to enter the 'Movie Size' submenu.
3. Push the ZOOM button to navigate the menu and press the PHOTO button to confirm your selected setting (1080p 30fps, 720p 60fps, 720p 30fps, 480p 30fps). A higher resolution and faster frames per second rate will produce a higher quality and larger video file.
4. Press the MENU button to exit the submenu.

3.1.2 Metering

Metering mode refers to the way in which a camcorder determines the appropriate exposure (quantity of light reaching the camcorder lens). Spot metering will only base the exposure setting on a very small area of the scene. Center metering will use the light from the center of the LCD and the Multi setting measures the light at several points on the screen.

1. In Video Mode press the MENU button.
2. Select 'Metering' using the ZOOM button and press the PHOTO button to enter the 'Metering' submenu.
3. Push the ZOOM button to navigate the menu and press the PHOTO button to confirm your selected exposure mode (Center, Multi, Spot).
4. Press the MENU button to exit the submenu.

3.1.3 Color Effect

This function sets the color filter effect of a video.

1. In Video Mode press the MENU button.
2. Select '*Color Effect*' using the ZOOM button and press the PHOTO button to enter the '*Color Effect*' submenu.
3. Push the ZOOM button to navigate the menu and press the PHOTO button to confirm your selected filter (*Standard, Sepia, Monochrome, Vivid*).
4. Press the MENU button to exit the submenu.

3.1.4 Exposure

This function adjusts the frame brightness in your video.

1. In Video Mode press the MENU button.
2. Select '*Exposure*' using the ZOOM button and press the PHOTO button to enter the '*Exposure*' submenu.
3. Push the ZOOM button to navigate the menu and press the PHOTO button to confirm your selected exposure mode (+3, +2, +1, 0, -1, -2, -3).
4. Press the MENU button to exit the submenu.

3.1.5 White Balance

White Balance changes the color of light in your pictures, making it seem warmer or cooler depending on how the light you're shooting in affects the frame.

1. In Video Mode press the MENU button.
2. Select '*White Balance*' using the ZOOM button and press the PHOTO button to enter the '*White Balance*' submenu.
3. Push the ZOOM button to navigate the menu and press the PHOTO button to confirm your selected setting (*Auto, Daylight, Cloudy, Fluorescent, Tungsten*).
4. Press the MENU button to exit the submenu.

3.1.6 Time-Lapse

This feature allows you to capture long sequences of events in a much shorter time period.

1. In Video Mode press the MENU button.
2. Select '*Time-Lapse*' using the ZOOM button and press the PHOTO button to enter the '*Time-Lapse*' submenu.
3. Push the ZOOM button to navigate the menu and press the PHOTO button to confirm your selected setting (*Off, 1 Second, 3 Seconds, 5 Seconds*).
4. Press the MENU button to exit the submenu.

NOTE: By selecting '3 Seconds' the camera will capture a photo every 3 seconds and create a time-lapse video. To disable Time-Lapse recording, select 'Off' in this submenu.

Alternatively, your camcorder's menus can be navigated via the touch screen. Press the 'MENU' icon in the bottom left corner of the touch screen to change chosen settings.

3.2 Photo Shooting

Power the camcorder on and press the MODE button or press the icon in the top left corner of the touch screen to switch to Photo mode.

1. Line up your shot by looking at the LCD screen to see what is in the shot.
2. Hold the camcorder steady, soft press the PHOTO button to focus on the scene and hard press the PHOTO button to capture a photo.
3. The number of photos that can be captured at a particular resolution will be displayed in the top right corner of the screen.
4. The number of remaining photos is determined by the selected photo resolution. The higher the photo resolution, the lower the number of photos you are able to be save to the memory card. Before capturing any photos, you can select a preferred photo resolution.

3.2.1 Photo Size (Resolution)

Your camcorder has a number of preset resolutions.

1. In Photo Mode press the MENU button.
2. Select '*Photo Size*' using the ZOOM button and press the PHOTO button to enter the '*Photo Size*' submenu.
3. Push the ZOOM button to navigate the menu and press the PHOTO button to confirm your selected setting (24MP, 20MP, 16MP, 12MP, 10MP, 7MP, 5MP, 3MP, 2MP, VGA). A higher resolution will produce a higher quality and larger image file.
4. Press the MENU button to exit the submenu.

3.2.2 Self Timer

This function determines the time delay before a photograph is captured. This setting can be used by photographers to take photographs of themselves.

1. In Photo Mode press the MENU button.
2. Select '*Self Timer*' using the ZOOM button and press the PHOTO button to enter the '*Self Timer*' submenu.
3. Push the ZOOM button to navigate the menu and press the PHOTO button to confirm your selected exposure mode (*Off, 2 Seconds, 5 Seconds, 10 Seconds*).
4. Press the MENU button to exit the submenu.

3.2.3 Face Detection

This function allows you to set your camcorder to detect faces in a scene and adjust your camcorder's setting for the most optimal picture.

1. In Photo Mode press the MENU button.
2. Select '*Face Detection*' using the ZOOM button and press the PHOTO button to enter the '*Face Detection*' submenu.

3. Push the ZOOM button to navigate the menu and press the PHOTO button to confirm your selected exposure mode (*On, Off*).
4. Press the MENU button to exit the submenu.

3.2.4 Macro

This function allows the camera to take extreme close-up photographs of small objects, like insects, flowers and more, and show them larger than life size in the photograph.

1. In Photo Mode press the MENU button.
2. Select '*Macro*' using the ZOOM button and press the PHOTO button to enter the '*Macro*' submenu.
3. Push the ZOOM button to navigate the menu and press the PHOTO button to confirm your selected exposure mode (*Off, On*).
4. Press the MENU button to exit the submenu.

3.2.5 White Balance

White Balance changes the color of light in your pictures, making it seem warmer or cooler depending on how the light you're shooting in affects the frame.

1. In Photo Mode press the MENU button.
2. Select '*White Balance*' using the ZOOM button and press the PHOTO button to enter the '*White Balance*' submenu.
3. Push the ZOOM button to navigate the menu and press the PHOTO button to confirm your selected setting (*Auto, Daylight, Cloudy, Fluorescent, Tungsten*).
4. Press the MENU button to exit the submenu.

3.2.6 Exposure

This function adjusts the frame brightness in your video.

1. In Photo Mode press the MENU button.
2. Select '*Exposure*' using the ZOOM button and press the PHOTO button to enter the '*Exposure*' submenu.
3. Push the ZOOM button to navigate the menu and press the PHOTO button to confirm your selected exposure mode (+3, +2, +1, 0, -1, -2, -3).
4. Press the MENU button to exit the submenu.

3.2.7 Color Effect

This function sets the color filter effect of a video.

1. In Photo Mode press the MENU button.
2. Select '*Color Effect*' using the ZOOM button and press the PHOTO button to enter the '*Color Effect*' submenu.

3. Push the ZOOM button to navigate the menu and press the PHOTO button to confirm your selected filter (*Standard, Sepia, Monochrome, Vivid*).
4. Press the MENU button to exit the submenu.

3.2.8 Photo Burst

This function allows you to capture 3 consecutive photos with one click of the PHOTO button.

1. In Photo Mode press the MENU button.
2. Select '*Photo Burst*' using the ZOOM button and press the PHOTO button to enter the '*Photo Burst*' submenu.
3. Push the ZOOM button to navigate the menu and press the PHOTO button to confirm your selected exposure mode (*3 Photos, Off*).
4. Press the MENU button to exit the submenu.

Alternatively, your camcorder's menus can be navigated via the touch screen. Press the 'MENU' icon in the bottom left corner of the touch screen to change chosen settings.

3.3 Playback Mode

Videos and photos captured on your camcorder can be easily played back. Power the camcorder on and press the MODE button or press the icon in the top left corner of the touch screen to switch to Photo mode.

1. Press the ZOOM buttons to cycle through the captured videos and images stored on the memory card.
2. While viewing a recorded video, press the PHOTO button to start playing a recorded video, press the PHOTO button again to pause the video and press the RECORD button to stop the video.
3. While a video is playing, use the ZOOM button to increase or decrease the playback volume.
4. To zoom in on an image, press the + icon on the LCD screen.
5. Drag the image on the screen to move the image on screen while zoomed in.

In Playback Mode the following options are available:

3.3.1 Delete

This function is used to delete videos. Videos can be deleted singly or all at once. **Deleted videos and images are permanently deleted and cannot be recovered.**

1. In Playback Mode press the MENU button, and use the ZOOM button to select '*Delete*'. Press the PHOTO button to enter the '*Delete*' submenu.
2. Push the ZOOM button to navigate the menu, and press the PHOTO button for your selected setting (*Delete Current, Delete All, Cancel*).
3. Press the MENU button to exit the menu without deleting any videos or images.

3.3.2 Protect

This function protects the video file. The file will be protected from being deleted accidentally. Files must be unprotected to be deleted.

1. In Playback Mode press the MENU button, and use the ZOOM button to select '*Protect*'. Press the PHOTO button to enter the '*Protect*' submenu.
2. Push the ZOOM button to navigate the menu, and press the PHOTO button for your selected setting (*Lock Current, Lock All, Unlock Current, Unlock All*).
3. Press the MENU button to exit the menu without protecting any videos.

3.4 Settings Mode

Basic settings can be changed in the Settings menu. These include date & time, language and sound options. Power the camcorder on and press the MODE button. Use the ZOOM button to select Settings. Press the PHOTO button to enter Settings Mode. A menu will display on the screen.

3.4.1 Language

This function allows you to set the camcorder's interface language.

1. In Settings Mode use the ZOOM button to select '*Language*' and press the PHOTO button to enter the '*Language*' submenu.
2. Push the ZOOM button to navigate the menu and press the PHOTO button to confirm your selected language.
3. Press the MENU button to exit the submenu.
4. You can also press the MENU button to exit the submenu without making a selection.

3.4.2 Date

This function allows you to set the current Date and Time and imprint the date and time on your recorded video clips and captured photos.

1. In Settings Mode use the ZOOM button to select '*Date*' and press the PHOTO button to enter the '*Date*' submenu.
2. Push the ZOOM button to navigate the menu, and press the PHOTO button for your selected setting (*Off, On, Date & Time Set*).
3. To set the current date and time, select Date & Time Set and press the PHOTO button to enter the submenu.
4. Push the ZOOM button to change the selected value.
5. Press the PHOTO button to change the selected value.
6. Press the MENU button to exit the submenu after setting the date and time or to exit the submenu without making any changes.

3.4.3 Auto Power Off

This function sets the duration of time in which the camcorder will wait with no user input before automatically powering off.

1. In Settings Mode use the ZOOM button to select '*Power Save*' and press the PHOTO button to enter the '*Power Save*' submenu.
2. Push the ZOOM button to navigate the menu and then press the PHOTO button to confirm your selected setting (*Off, 3 Minutes, 5 Minutes, 10 Minutes*).
3. Press the MENU button to exit the submenu.
4. You can also press the MENU button to exit the submenu without making a selection.

3.4.4 Format

The format setting erases all photos, videos and data stored on your memory card.

1. In Settings Mode use the ZOOM button to select '*Format*' and press the PHOTO button to enter the submenu.
2. Push the ZOOM button to select your desired selection, press the PHOTO button for your selected setting (*Format, No*).

NOTE: This will delete all of your media and cannot be undone.

3.4.5 Beep Sound

This function can turn the sound the camcorder makes after pressing a button, on or off.

1. In Settings Mode use the ZOOM button to select '*Beep Sound*' and press the PHOTO button to enter the '*Beep Sound*' submenu.
2. Push the ZOOM button to select your desired setting (*On, Off*), Then press the PHOTO button to confirm your selection.
3. Press the MENU button to exit the submenu.
4. You can also press the MENU button to exit the submenu without making a selection.

3.4.6 Frequency

This function sets the frequency of the camcorder from 50Hz to 60Hz. Please check the frequency of your location and set accordingly.

1. In Settings Mode use the ZOOM button to select '*Frequency*' and press the PHOTO button to enter the '*Frequency*' submenu.
2. Push the ZOOM button to select your desired frequency. Then press the PHOTO button to confirm your selection (*50Hz, 60Hz*). The default frequency for the United States is 60Hz.
3. Press the MENU button to exit the submenu.
4. You can also press the MENU button to exit the submenu without making a selection.

3.4.7 Reset

Factory default settings can be restored in this menu. This function will not delete the media stored on the memory card, and will only restore all of the menu's setting back to factory default settings.

1. In Settings Mode use the ZOOM button to select '*Reset*' and press the PHOTO button to enter the '*Reset*' submenu.
2. Push the ZOOM button to select your desired option, then press the PHOTO button to confirm your selection (*Yes, No*).

3.5 Slide Show

Photographs can be viewed as a slideshow on the camcorder. Power the camcorder on and press the MODE button. Use the ZOOM button to select Slide Show. Press the PHOTO button to enter Slide Show Mode. Press the PHOTO button to start the slide show, press the PHOTO button again to pause the slide show. While paused, press the MENU icon on the LCD screen to access the slide show options. Push the ZOOM button to select your desired setting (*3 Seconds, 5 Seconds, 10 Seconds*), then press the PHOTO button to confirm your selection.

4.1 Technical Specifications

Model Number	Minolta MN100HDZ
Lens	Auto Focus • $f=4.95-49.5\text{mm}$ • $F/2.8-3.1$ • 37mm Front Threading for Lens Accessory Attachments
Zoom	10X Optical Zoom
Image Sensor	5MP CMOS Sensor
Shutter	Electronic • Anti-Shake Image Stabilization
Pixels (photo)	JPEG: 24MP • 20MP • 16MP • 12MP • 10MP • 7MP • 5MP • 3MP • 2MP • VGA
Pixels (video)	MOV: 1080p 30fps • 720p 60fps • 720p 30fps • 480p 30fps
ISO Sensitivity	Auto • 100 • 200 • 400
LCD Monitor	3.0 Inch IPS Touch Screen LCD
Assistive Light	White LED
Power Saving Mode	OFF • 3 Minutes • 5 Minutes • 10 Minutes
White Balance Control	Auto • Daylight • Cloudy • Fluorescent • Tungsten
Special Features	Photo Burst • Face Detection • Color Filters
Accessory Shoe Mount	Yes, for external MIC or Assistive Lighting
Recording Media	SD • SDXC; Maximum: 128GB
I/O Ports	5-pin Mini USB 2.0 • Mini HDMI C Type • 3.5mm Microphone Input • Hot Shoe
Power	NP-40; 3.7v, 1,300mAH
Dimensions	4.98 x 2.28 x 2.38 in. • 11.9 oz.



MINOLTA®

*Minolta is a registered trademark of JMM Lee Properties, LLC
and is used in the United States by Elite Brands Inc. under license.*

*40 Wall Street, 61st Floor, New York, NY 10005 USA • Tel: 800-441-1100
www.minoltadigital.com • www.elitebrands.com
Copyright © 2022 Elite Brands Inc.*

***If you're having difficulties with your camcorder, or would like further
assistance, please call our toll-free technical support hotline at 800-441-1100.
Please be sure to have your camcorder handy when calling.***





MINOLTA®

MN100HDZ